

# Fluid control valve(2/2 way)

## 2KWA Series (Internally piloted and normally opened )



### Specification

Model\Item	Port size [Note1]	Orifice size (Φmm)	Cv	Valid area or section (mm <sup>2</sup> )	Weight [Note2](g)	Operating pressure differential		Proof pressure	
						MPa	psi	MPa	psi
2KWA150-15	1/2"	15.0	5.50	100.0	575	Max: 0.7 Min: 0.05	Max: 100 Min: 10	1.5	220
2KWA200-20	3/4"	20.0	9.50	170.0	735				
2KWA250-25	1"	25.0	12.5	220.0	1035				

[Note1] PT thread, G thread and NPT thread are available.

[Note2] The weight in the table is the terminal valve's weight, grommet valve's weight is 10g less than terminal's.

### Specification of coil

Valve type	Coil type	Power type	Frequency (Hz)	Voltage range	Electrical entry	Power Consumption (VA/W)	Insulation	Temp. rise(°C)
2KWA150	CDA110	AC	50	±15%	Terminal (CDA)	15.0VA	Class F	50
2KWA200			60			11.0VA		40
2KWA250	DC	-	±10%	Grommet (CLA)	6.5W	30		

### Symbol



### Product feature

1. Indirect acting (Internal pilot) and normally opened type 2/2 way fluid valve. Its can change direction quickly and has large flow.
2. It is compact, small and light weight. Easy to install and dismantle;
3. The valve body is made of brass. The coil has a Heat resistance classification of Class F. The standard seal material is FPM-F. Please contact us if other seal material are required.
4. The protection class of the coil is IP65 and there is a choice for grommet or terminal electrical entry.

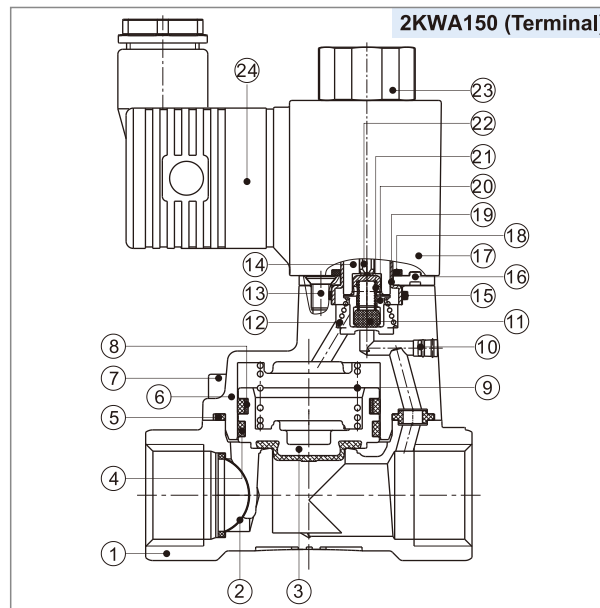
### Valve's specification

Acting	Internally piloted				
	Initial state	Normally opened			
Adaptable fluid	Air, Water, Oil				
Viscosity limit	Under 20CST				
Ambient and fluid temperature ( °C )		Water	Air	Oil	Ambient
	Max.	80	90	80	70
	Min.	1	-20 [Note1]	-10 [Note2]	-20

[Note1] Dew point: -20(°C) or less ;

[Note2] 50CST or less.

### Inner structure



No.	Item
1	Body
2	Filter
3	Piston
4	Wear ring
5	O-ring
6	Cover
7	Screw
8	Bonnet spring
9	Spring
10	Bushing
11	Airtight ring
12	Spring
13	Screw
14	Electromagnet
15	O-ring
16	Fixed plate
17	Coil assembly
18	O-ring
19	Coil axis
20	Airtight ring
21	Spring
22	Man drill
23	Coil nut
24	Connector

### Ordering code

Ordering code of valves

2KWA 150 15 A □ □

① ② ③ ④ ⑤ ⑥

① Model	② Orifice size	③ Port size	④ Voltage	⑤ Electrical entry	⑥ Thread type
2KWA: 2/2 way internally piloted and normally opened	150: Φ15mm	15: 1/2"	A: AC220V B: DC24V C: AC110V	Blank: Terminal I: Grommet [Note]	Blank: PT G: G T: NPT
	200: Φ20mm	20: 3/4"	E: AC24V		
	250: Φ25mm	25: 1"	F: DC12V		

[Note] The wire length is 0.5m.

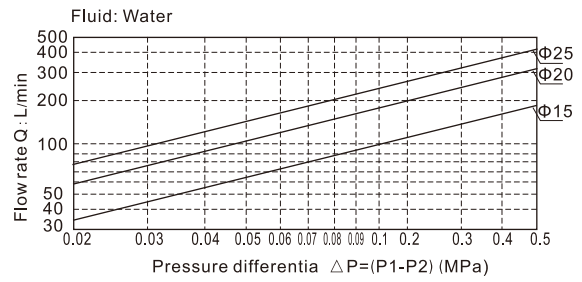
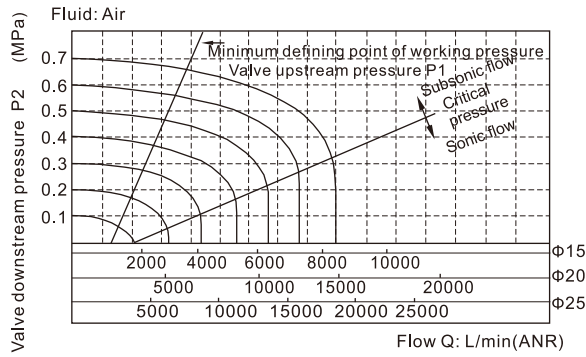
### Ordering code of accessories

Ordering code of accessories is the same as 2WA series valve's, Please refer to P11 for details of ordering code.

# Fluid control valve(2/2 way)

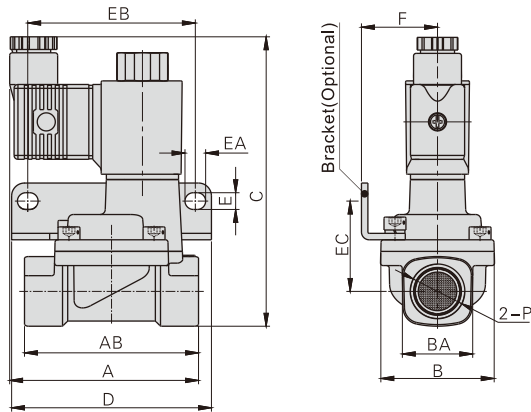
## 2KWA Series (Internally piloted and normally opened )

### Flow chart



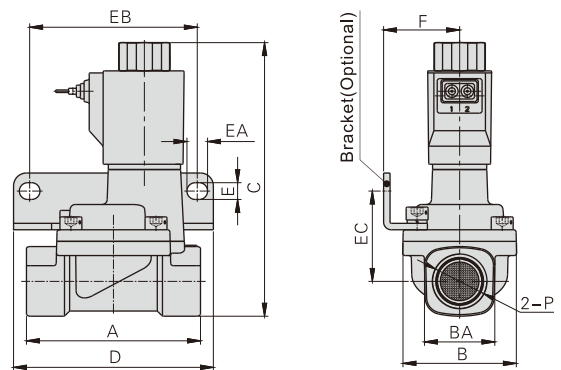
### Dimensions

#### Terminal



Model\Item	A	AB	B	BA	C	D	E	EA	EB	EC	F	P
2KWA150-15	73.5	67.5	44	27.5	112	77.5	6.5	8	65	35	29.5	1/2"
2KWA200-20	75.5	79.5	51	33.5	119	87.5	6.5	8	75	38	33	3/4"
2KWA250-25	77.5	90	57	40.5	126	93	6.5	8	80	42	35	1"

#### Grommet



Model\Item	A	B	BA	C	D	E	EA	EB	EC	F	P
2KWA150-15	67.5	44	27.5	109	77.5	6.5	8	65	35	29.5	1/2"
2KWA200-20	79.5	51	33.5	116	87.5	6.5	8	75	38	33	3/4"
2KWA250-25	90	57	40.5	123	93	6.5	8	80	42	35	1"